



Drilling Aluminum Alloy 6061 Solar Roof Mounting Systems Nut With Hooks / Z - Type Clamps

Our Product Introduction

Basic Information

- Place of Origin: China
- Brand Name: HT
- Certification: CA , CE
- Application: buildings,commercial,industrial
- Temper: T4, T5, T6 ,T66
- Surface Treatment: Mill Finished,Anodized, etc
- Material: Aluminum
- Alloy : 6063,6061,6005
- Product Name: Aluminum Curtain Wall Profile
- Minimum Order Quantity: 100SET



Product Specification

- Highlight: **solar panel roof mounts, aluminum frames for solar panels**

for more products please visit us on aluminumextrusion-profiles.com

Product Description

Drilling Aluminum Alloy 6061 Solar Roof Mounting Systems Nut With Hooks / Z - Type Clamps

1. Alloy :6063,6061,6005 or according to customer' s choice
2. Material:Aluminum
3. Surface Treatment: Mill Finished,Anodized ,Electrophoretic coated,Powder spray coated,Fluorocarbon powder spray coated /PVDF Paint, Drawbench,Steel polished,Wood grain coated /Wooden transfer .
4. Deep process: Milling, Drilling, Bending,Cutting.
5. Color:clear, satin, bronze, black, golden, silver, other multicolor
6. Temper: T4, T5, T6 ,T66

Description:

Hentec Solar roof mounting system refers to a solar panel mounting system suitable for both flat roofs and sloping roofs. With unique aluminum alloy rails, Z-type clamps ,and special rail connection techniques, etc, there is no need for on-site processing anymore. Thus, solar panel installation becomes simple and easy.

To suit needs for different kinds of hooks. Hentec solar roof mounting system comes with different kinds of hooks. For instance, we have stainless steel hooks for tile roofs ,L-type hooks for steel plate roofs and inclined standing lets for flat roofs.

Applications:

1. Hentec solar roof mounting system is convenient and easy to use.
2. Its components come with flexible combination and good compatibility.
3. Large span.
4. According to customer's demands, the mounting bracket can parallel to the roof or for an angle between the roof.
5. We can provide customized solar roof mounting system according to customers' requirements.

Specifications:

Material: 6060-T5 aluminum alloy

Surface treatment methods : silver anodized

Installation site : flat or sloping roofs

Roof material : tile in majority

Installation angle : max.60 degree

Installation height : max .20m

Wind resistance : 60m/s

Snow load :1.4KN each square meter

Solar panel type : frameless or framed

Assembly method : longitudinal or lateral

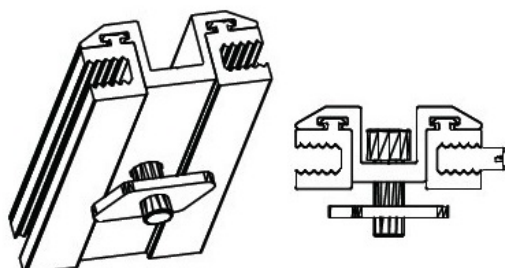
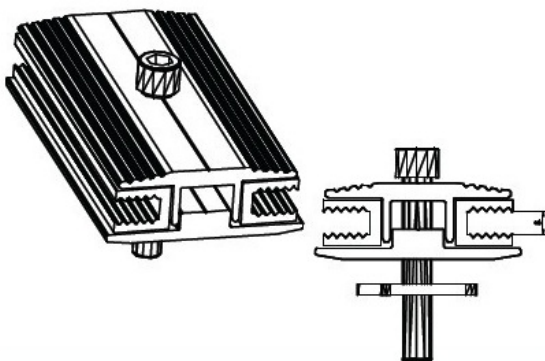
Solar panel size : The solar roof mounting system is suitable for all types of solar panel .

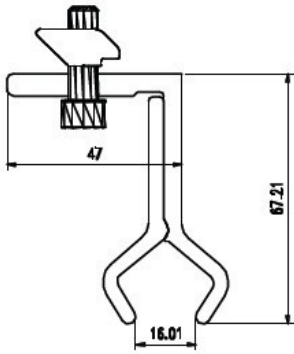
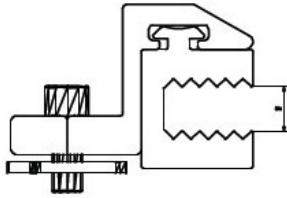
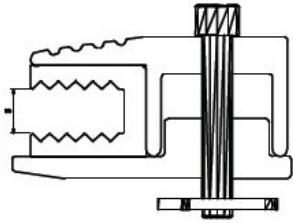
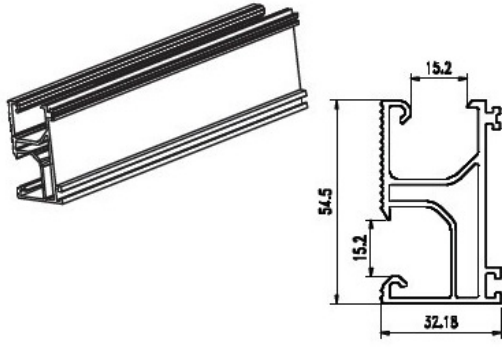
International standard :AS/NZS1170 ,and more

Supporting rails : aluminum alloy extrusions

Color : natural color

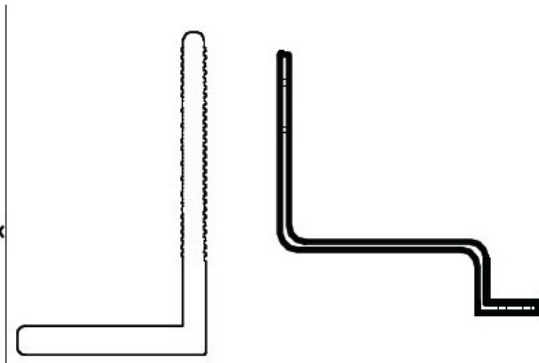
Warranty :10 years

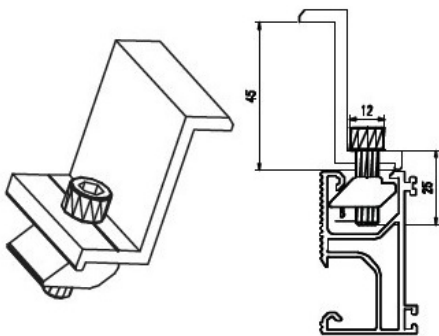
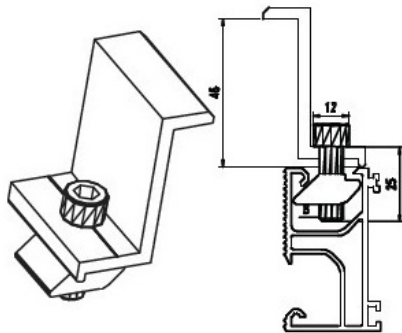
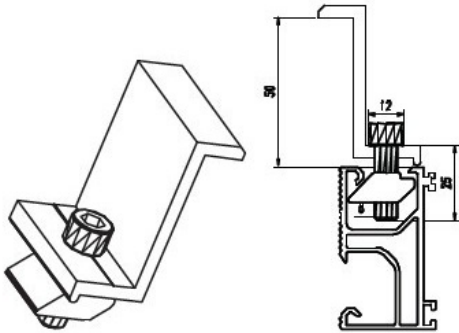
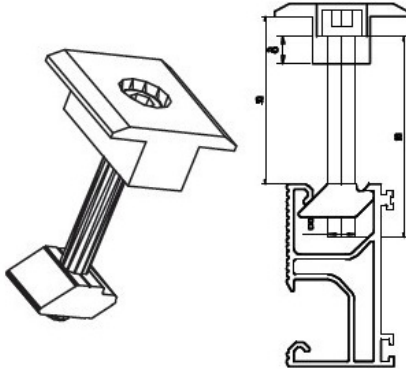
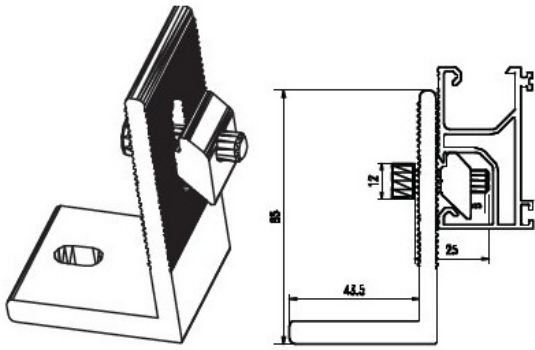


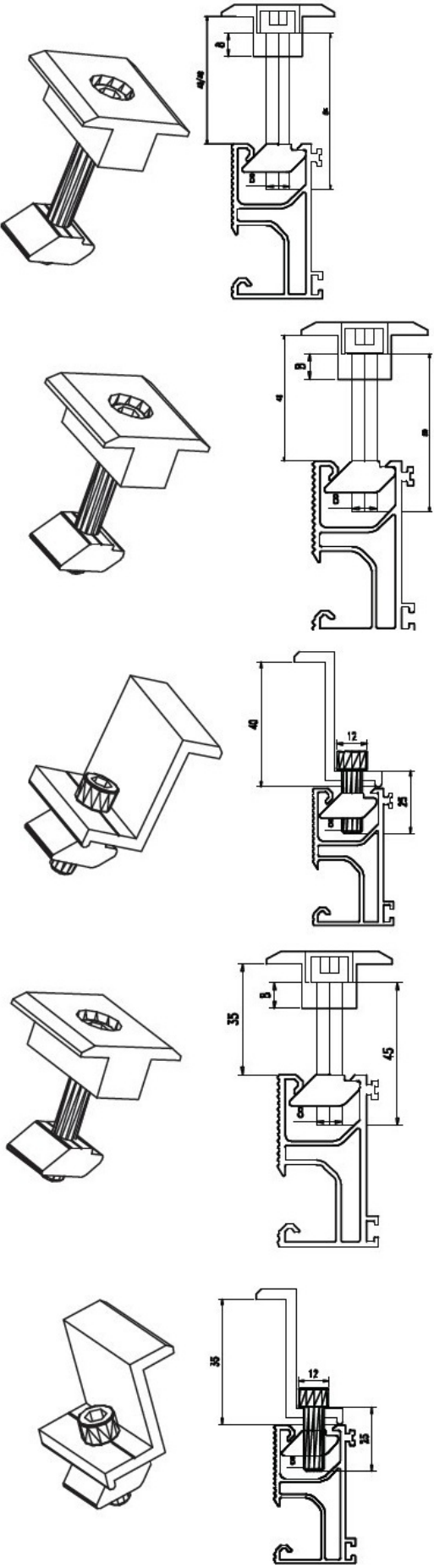


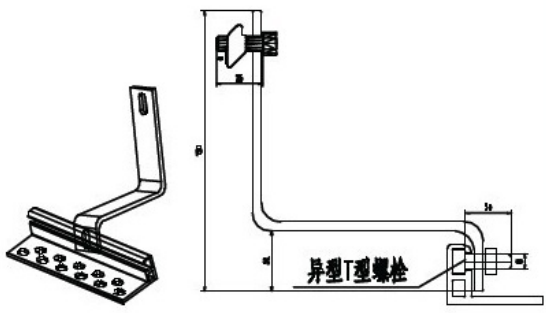
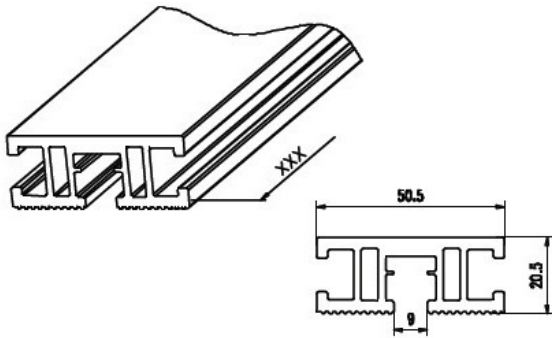
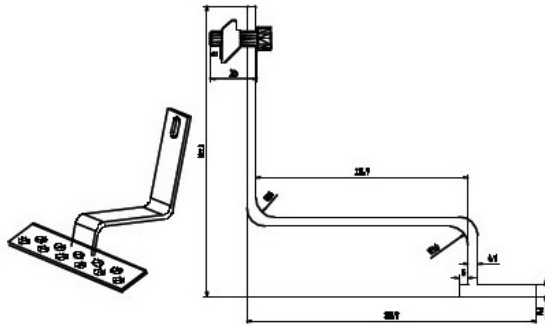
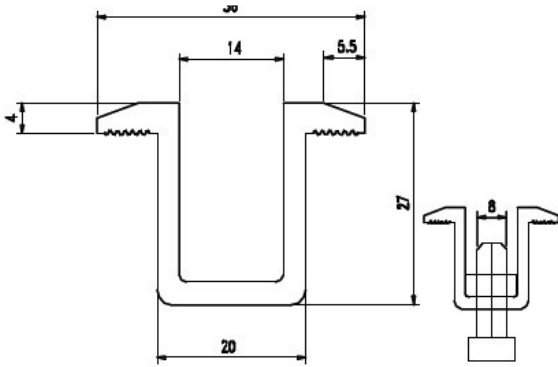
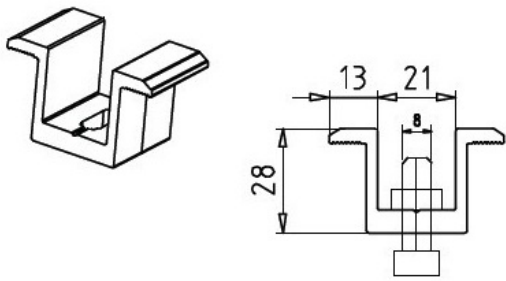
支脚及弯勾

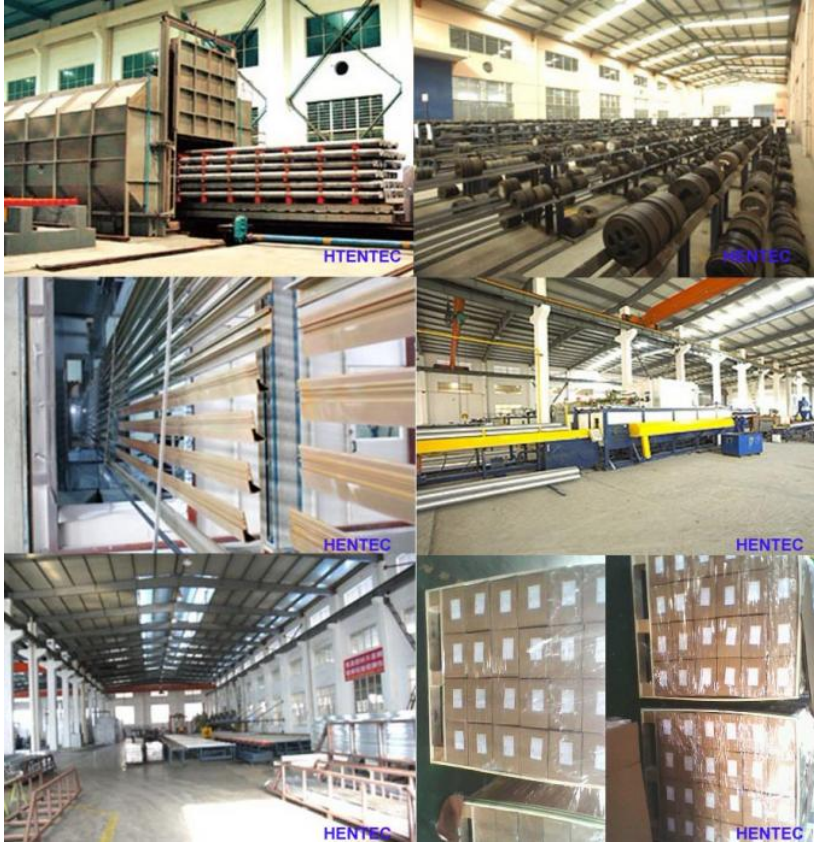
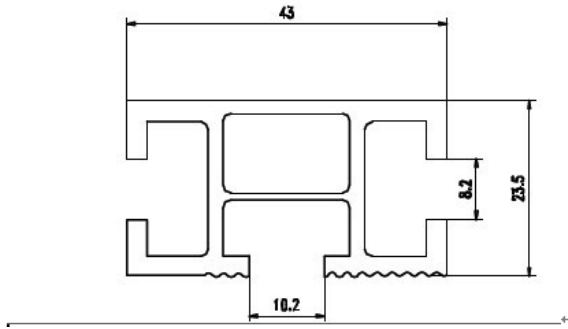
L foot and bend hook











HENTEC Hentec Industry Co.,Ltd

+86-13861643436 aluminum@hentec.com.cn aluminumextrusion-profiles.com

Qinfeng Road No.555 Huashi Town Jiangyin Jiangsu China (mainland) 214421