



6060 T5 Aluminum Alloy Anodized Coated Roof Hook With Large Span

Basic Information

- Place of Origin: China
- Brand Name: HT
- Certification: CA , CE
- Application: buildings,commercial,industrial
- Temper: T4, T5, T6 ,T66
- Surface Treatment: Mill Finished,Anodized, etc
- Material: Aluminum
- Alloy : 6063,6061,6005
- Product Name: Aluminum Curtain Wall Profile
- Minimum Order Quantity: 100SET



Product Specification

- Highlight: **solar roof mounting kits,
solar panel roof mounts**

Product Description

6060 T5 Aluminum Alloy Anodized Coated Roof Hook With Large Span

1. Alloy :6063,6061,6005 or according to customer' s choice
2. Material:Aluminum
3. Surface Treatment: Mill Finished,Anodized ,Electrophoretic coated,Powder spray coated,Fluorocarbon powder spray coated /PVDF Paint, Drawbench,Steel polished,Wood grain coated /Wooden transfer .
4. Deep process: Milling, Drilling, Bending,Cutting.
5. Color:clear, satin, bronze, black, golden, silver, other multicolor
6. Temper: T4, T5, T6 ,T66

Description:

Hentec Solar roof mounting systems refers to a solar panel mounting system suitable for both flat roofs and sloping roofs. With unique aluminum alloy rails, Z-type clamps ,and special rail connection techniques, etc, there is no need for on-site processing anymore. Thus, solar panel installation becomes simple and easy.

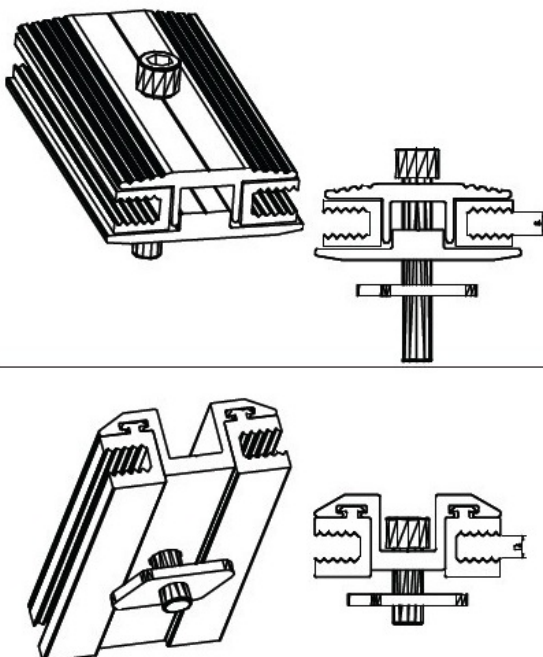
To suit needs for different kinds of hooks. Hentec solar roof mounting system comes with different kinds of hooks. For instance, we have stainless steel hooks for tile roofs ,L-type hooks for steel plate roofs and inclined standing lets for flat roofs.

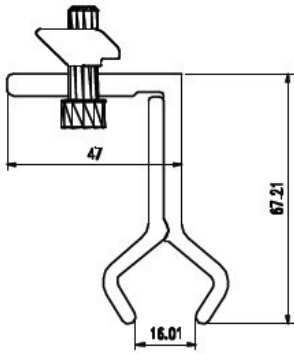
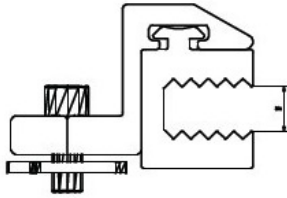
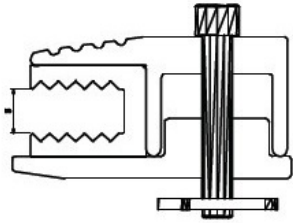
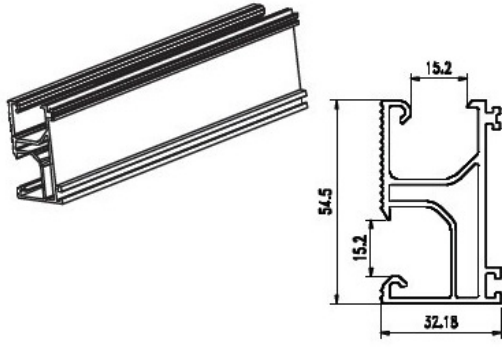
Applications:

1. Hentec solar roof mounting system is convenient and easy to use.
2. Its components come with flexible combination and good compatibility.
3. Large span.
4. According to customer's demands, the mounting bracket can parallel to the roof or for an angle between the roof.
5. We can provide customized solar roof mounting system according to customers' requirements.

Specifications:

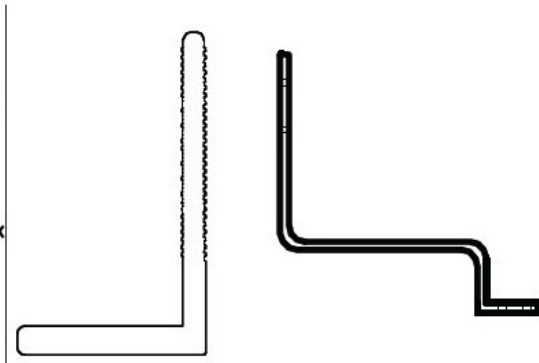
Material: 6060-T5 aluminum alloy
 Surface treatment methods : silver anodized
 Installation site : flat or sloping roofs
 Roof material : tile in majority
 Installation angle : max.60 degree
 Installation height : max .20m
 Wind resistance : 60m/s
 Snow load :1.4KN each square meter
 Solar panel type : frameless or framed
 Assembly method : longitudinal or lateral
 Solar panel size : The solar roof mounting system is suitable for all types of solar panel .
 International standard :AS/NZS1170 ,and more
 Supporting rails : aluminum alloy extrusions
 Color : natural color
 Warranty :10 years

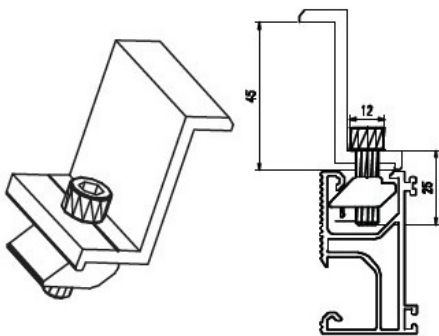
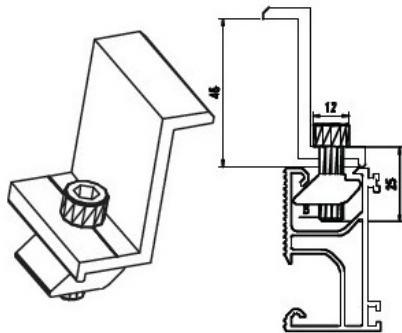
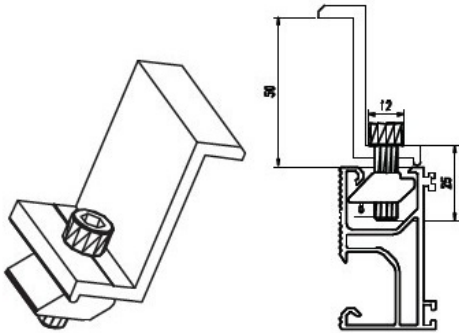
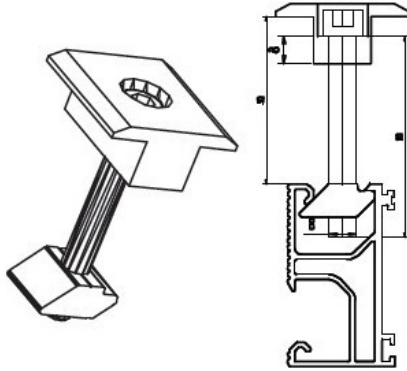
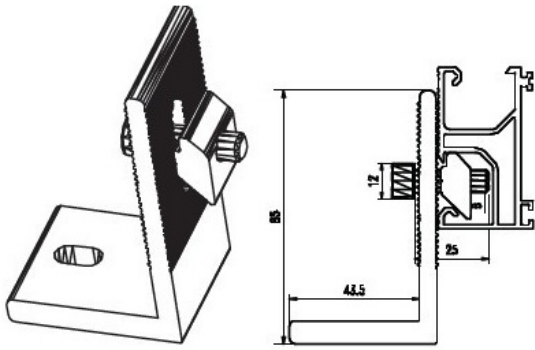


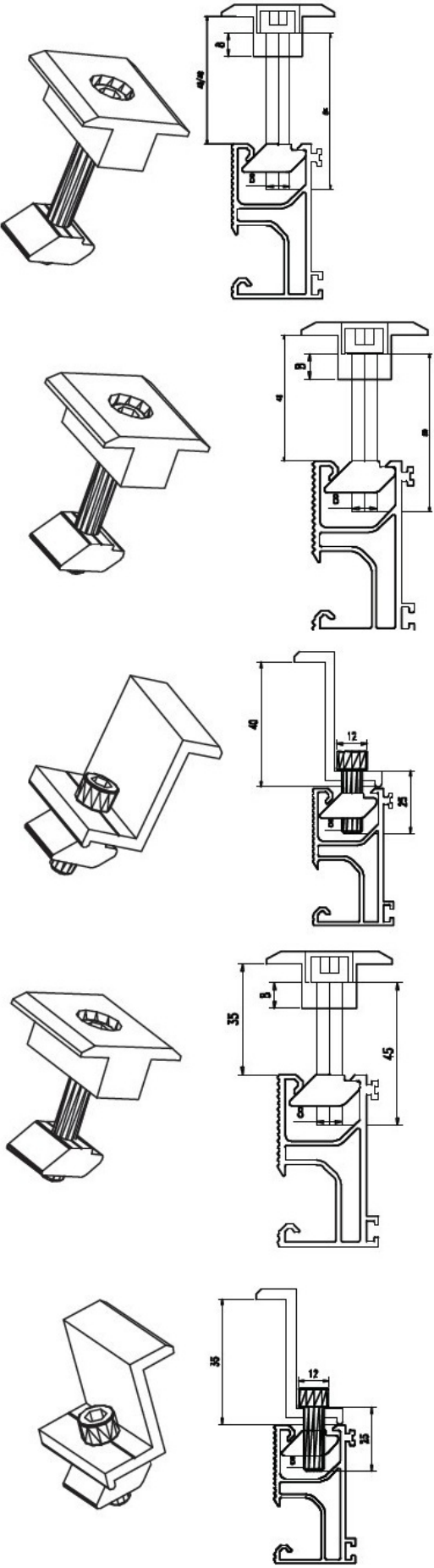


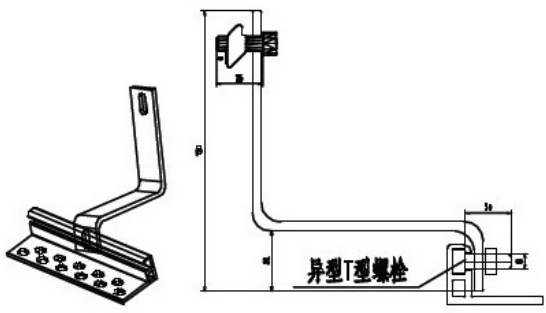
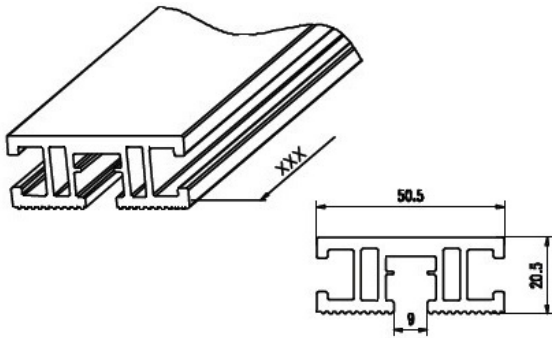
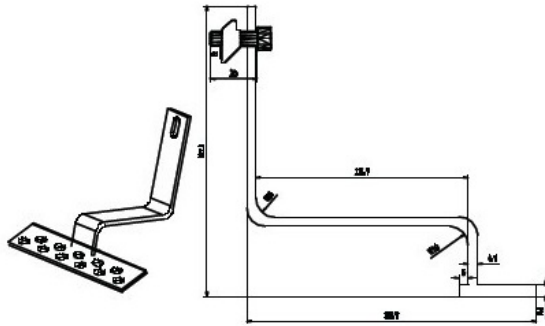
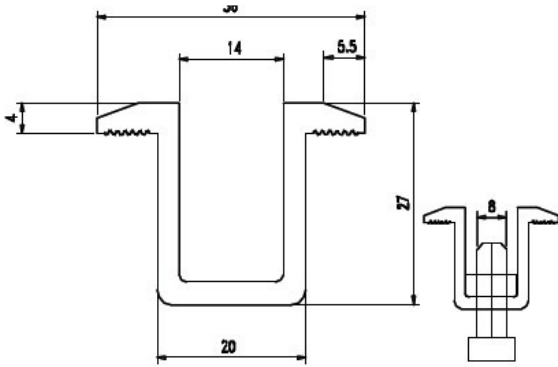
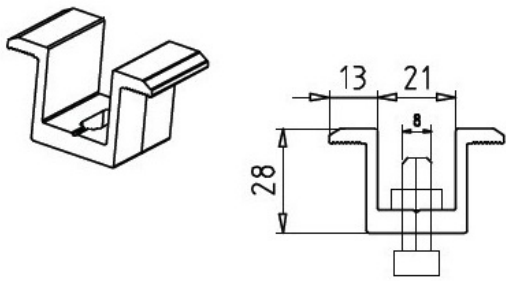
支脚及弯勾

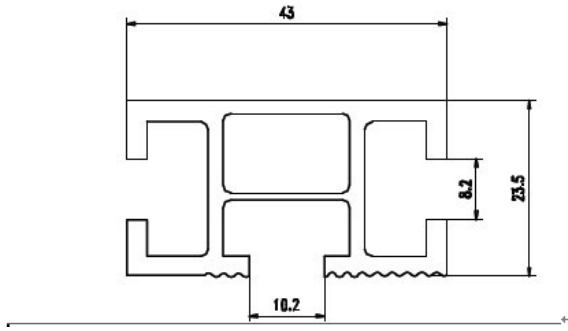
L foot and bend hook











HENTEC Hentec Industry Co.,Ltd

+86-13861643436

aluminum@hentec.com.cn

aluminumextrusion-profiles.com

Qinfeng Road No.555 Huashi Town Jiangyin Jiangsu China (mainland) 214421